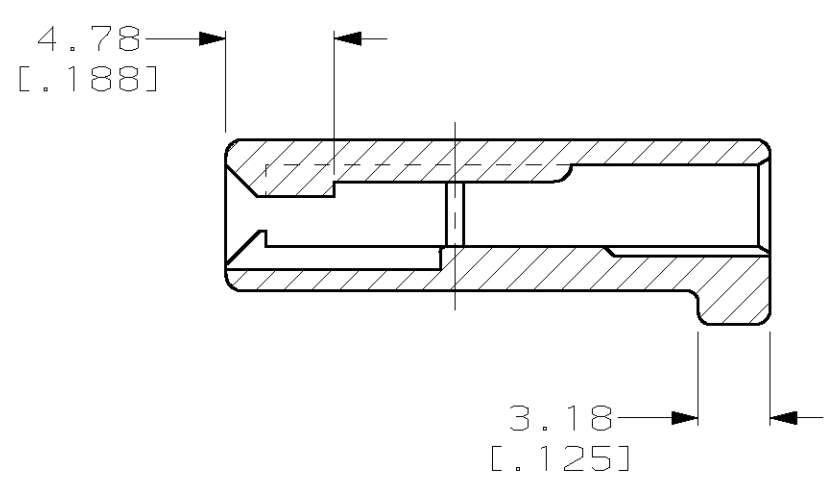
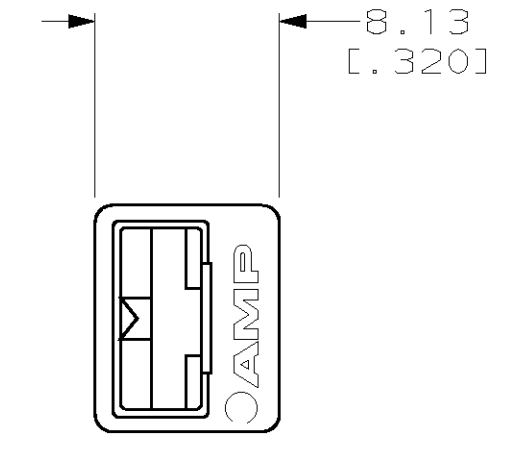
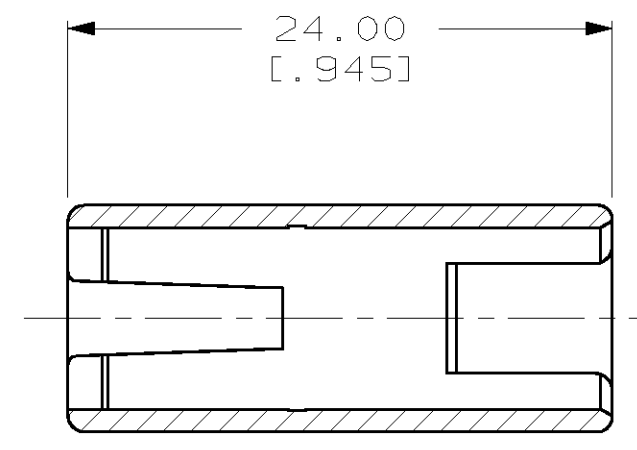
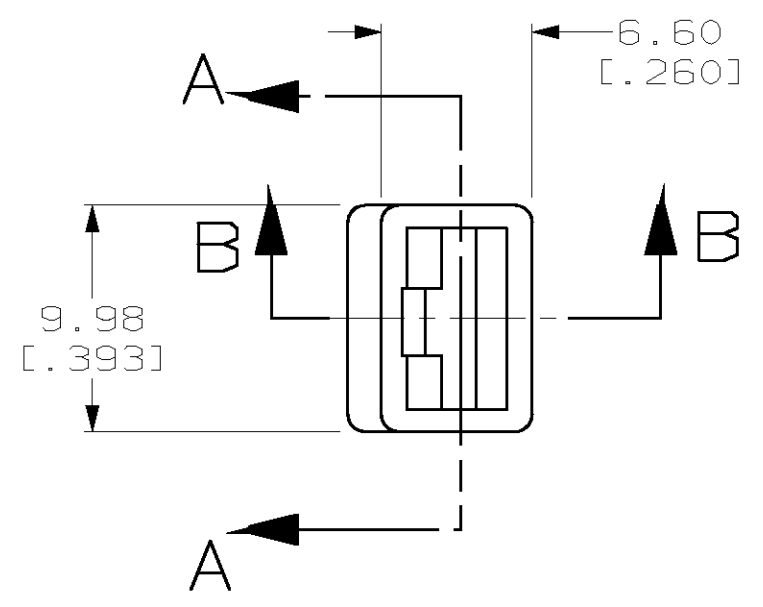


THIS DRAWING IS UNPUBLISHED. RELEASED FOR PUBLICATION ,19 .  
 © COPYRIGHT 19 BY AMP INCORPORATED. ALL RIGHTS RESERVED.

LOC	DIST	REVISIONS			
P	LTR	DESCRIPTION	DATE	DWN	APVD
AF	50	U	OBS -2 PER 0G3A-0656-01	21FEB02	JR ND



SECTION B-B

**OBSOLETE**

RED	6/6 NYLON	480054-5
BLACK	6/6 NYLON	480054-4
NATURAL	6/6 NYLON	480054-3
<del>BLACK</del>	<del>CYCOLAC</del>	<del>480054-2</del>
COLOR	MATERIAL	PART NO.

THIS DRAWING IS A CONTROLLED DOCUMENT.		DWN JR RUTH 08/JAN/99	AMP Incorporated Harrisburg, PA 17105-3608	
DIMENSIONS: MM [INCHES]		CHK MS FEHER 08/JAN/99		
TOLERANCES UNLESS OTHERWISE SPECIFIED: 0 PLC ±- 1 PLC ±- 2 PLC ±0.38 [.015] 3 PLC ±- 4 PLC ±- ANGLES ±-		APVD S HEADER 08/JAN/99	NAME HOUSING, RECEPT, FASTIN-FASTON, SINGLE CIRCUIT, 6.35 [.250] SERIES	
MATERIAL SEE TABLE		FINISH SEE TABLE	PRODUCT SPEC -	APPLICATION SPEC -
		WEIGHT -	SIZE A3	CAGE CODE 00779
			DRAWING NO C- 480054	RESTRICTED TO -
			SCALE 3:1	SHEET 1 OF 1
			REV U	